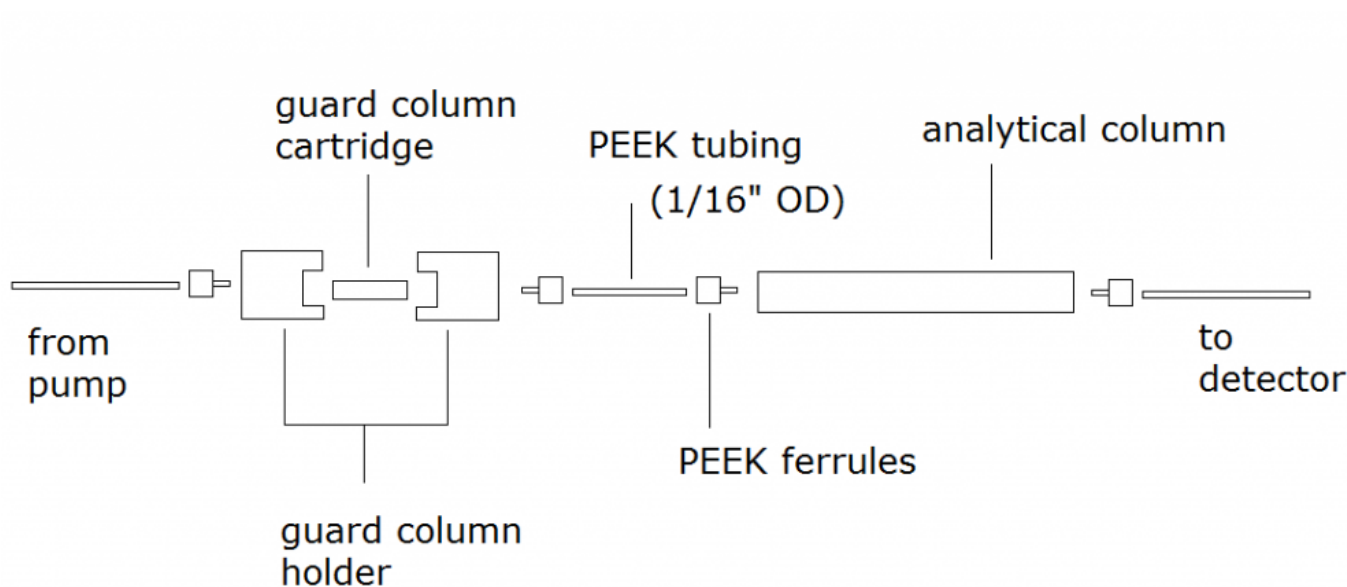


How do I connect a guard column to an analytical column - FAQ

A convenient way to easily connect the analytical column to the guard column holder is to use our [column couplers](#).

If you do not have a column coupler, alternately you can use PEEK tubing and ferrules instead but it is not strongly recommended. This setup is less ideal because cutting tubing can be difficult to get perfect cuts and poor tubing connection can cause **band broadening**. The column couplers are supplied with perpendicular tubing cuts.

The connections would look like this:



Click [HERE](#) for column coupler ordering information and pictures.

